



2040H

3-SERIES FORK TRUCK

ENGINE LPG or Diesel	RATED POWER 103.9 hp (77.5 kW)	CAPACITY 8,000 lb (4,000 kg)
--------------------------------	---	---



SPECIFICATIONS

EXCLUSIVELY FOR DEALER

GENERAL

Model		CLG2040H	CLG2040H
Power type	1	LPG	Diesel Tier T4F
Operator type	2	Sit-Down Rider	
Base capacity	3 @ rated load center	8,000 lb (4,000 kg)	
Load center	4	24 in (500 mm)	

WEIGHTS

Service weight	5	unloaded	13,988 lb (6,345 kg)	14,087 lb (6,390 kg)
Axle load	6	loaded/unloaded, front	20,668/7,143 lb (9,375/3,240 kg)	20,723/7,198 lb (9,400/3,265 kg)
	7	loaded/unloaded, rear	2,138/6,845 lb (970/3,105 kg)	2,183/6,889 lb (990/3,125 kg)

TIRES

Tire type	8	Pneumatic	
Wheels	9	front/rear	2/2
Wheelbase	10	78.7 in (2,000 mm)	
Tire size	11	front	300-15-18PR
	12	rear	7.0-12-12PR
Tread width	13	front/rear	46.3/47.2 in (1,176/1,200 mm)

MAST

Max. fork height	14	with std 2-stage mast	118.1 in (3,000 mm)
Free lift	15	with std 2-stage mast	7.5 in (190 mm)
Height, upright lowered	16	with std 2-stage mast	90.0 in (2,285 mm)
Height, upright extended	17	with std 2-stage mast	171.3 in (4,350 mm)
Mast tilt, fwd, back	18	with std 2-stage mast	6°/12°
Carriage	19	ISO Class	III
		width	56.9 in (1,444 mm)
Fork spread	20	minimum/maximum	12.2/53.5 in (310/1,360 mm)
Fork dimensions	21	T x W x L	2.0 x 4.8 x 42.1 in (50 x 122 x 1070 mm)

CHASSIS

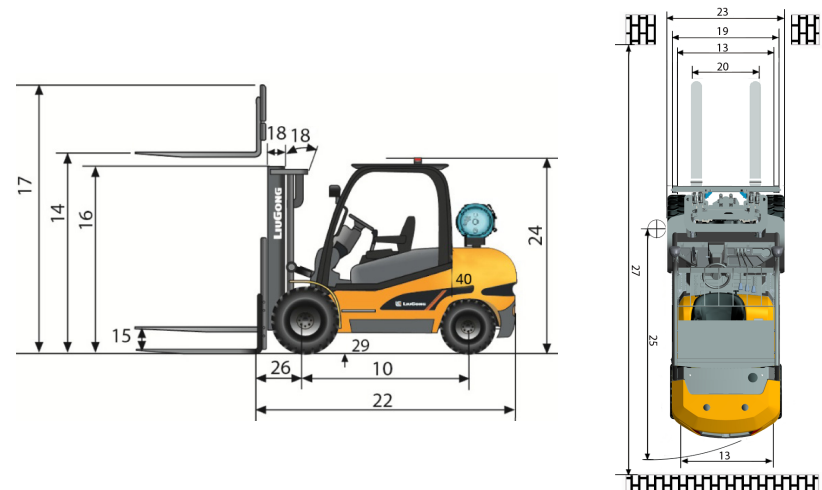
Length to fork face	22	with std 2-stage mast	122.8 in (3,120 mm)
Overall width	23		58.3 in (1,480 mm)
Overhead guard height	24		91.1 in (2,315 mm)
Turning radius	25	minimum outside	92.5 in (2,350 mm)
Fork overhang	26	with std 2-stage mast	22.2 in (563 mm)
Right angle stack	27	add load length and clearance	174.6 in (4,435 mm)
Ground clearance	28	minimum loaded	6.5 in (165 mm)
	29	center of wheelbase	5.3 in (135 mm)

Performance

Model		CLG2040H	CLG2040H
Travel speed	30	loaded/unloaded	15.8/16.2 mph (25.5/26 km/h)
			14.3/15.5 mph (23/25 km/h)
Lift speed	31	loaded/unloaded	104.3/110.2 fpm (.53/.56 m/s)
			82.7/88.6 fpm (0.42/0.45 m/s)
Lower speed	32	loaded/unloaded	102.4/94.5 fpm (.52/.48 m/s)
Max. drawbar pull	33	loaded	6,393 lb (2,900 kg) 6,173 lb (2,800 kg)
Max. gradeability	34	loaded/unloaded	28.5/33%
			25/29%

Systems

Brakes	35	service	Foot/hyd	
	36	parking	Hand/mech	
Engine	37	manufacturer	PSI	Cummins
	38	model	PS	QSF2.8
	39	emission compliance	EPA certified	T4F
	40	cylinders	4.3	4
	41	displacement	4.3 liter	2.8 liter
	42	rated power	103.9 hp (77.5 kW)	72.4 hp (54 kW)
			1,700 rpm	2,200 rpm
	43	max. torque	239/323.6 lb/ft	221/300 lb/ft
		1,700 rpm	1,600 rpm	
Transmission	44	type	Powershift	
	45	speeds, fwd/rev	1/1	
Hydraulic Pressure	46	system	2,828 psi (195 bar)	
	47	attachment	2,828 psi (195 bar)	



LGNA-SS-2040H-202304-ENG-US

Specifications and designs are subject to change without notice. Machines shown may include optional equipment.

LiuGong Construction Machinery N.A., LLC.
22220 Merchants Way - Suite 100
Katy, TX 77449
USA

T: 281-579-8882
www.liugongna.com

F: 281-579-8388